

Mid-Span Power Hub 24-Port User's Guide





Electrical Hazard: Only qualified personnel should perform installation procedures.

NOTICE

Enterasys Networks reserves the right to make changes in specifications and other information contained in this document and its web site without prior notice. The reader should in all cases consult Enterasys Networks to determine whether any such changes have been made.

The hardware, firmware, or software described in this document is subject to change without notice.

IN NO EVENT SHALL ENTERASYS NETWORKS BE LIABLE FOR ANY INCIDENTAL, INDIRECT, SPECIAL, OR CONSEQUENTIAL DAMAGES WHATSOEVER (INCLUDING BUT NOT LIMITED TO LOST PROFITS) ARISING OUT OF OR RELATED TO THIS DOCUMENT, WEB SITE, OR THE INFORMATION CONTAINED IN THEM, EVEN IF ENTERASYS NETWORKS HAS BEEN ADVISED OF, KNEW OF, OR SHOULD HAVE KNOWN OF, THE POSSIBILITY OF SUCH DAMAGES.

Enterasys Networks, Inc.
50 Minuteman Road
Andover, MA 01810

© 2004 Enterasys Networks, Inc. All rights reserved.

Part Number: 9033926 January 2004

ENTERASYS NETWORKS and any logos associated therewith are trademarks or registered trademarks of Enterasys Networks, Inc. in the United States and other countries.

All other product names mentioned in this manual may be trademarks or registered trademarks of their respective companies.

FCC NOTICE

This device complies with Part 15 of the FCC rules. Operation is subject to the following two conditions: (1) this device may not cause harmful interference, and (2) this device must accept any interference received, including interference that may cause undesired operation.

NOTE: This equipment has been tested and found to comply with the limits for a class A digital device, pursuant to Part 15 of the FCC rules. These limits are designed to provide reasonable protection against harmful interference when the equipment is operated in a commercial environment. This equipment uses, generates, and can radiate radio frequency energy and if not installed in accordance with the operator's manual, may cause harmful interference to radio communications. Operation of this equipment in a residential area is likely to cause interference in which case the user will be required to correct the interference at his own expense.

WARNING: Changes or modifications made to this device which are not expressly approved by the party responsible for compliance could void the user's authority to operate the equipment.

INDUSTRY CANADA NOTICE

This digital apparatus does not exceed the class A limits for radio noise emissions from digital apparatus set out in the Radio Interference Regulations of the Canadian Department of Communications.

Le présent appareil numérique n'émet pas de bruits radioélectriques dépassant les limites applicables aux appareils numériques de la class A prescrites dans le Règlement sur le brouillage radioélectrique édicté par le ministère des Communications du Canada.

VCCI NOTICE

This is a class A product based on the standard of the Voluntary Control Council for Interference by Information Technology Equipment (VCCI). If this equipment is used in a domestic environment, radio disturbance may arise. When such trouble occurs, the user may be required to take corrective actions.

この装置は、情報処理装置等電波障害自主規制協議会（VCCI）の基準に基づくクラスA情報技術装置です。この装置を家庭環境で使用すると電波妨害を引き起こすことがあります。この場合には使用者が適切な対策を講ずるよう要求されることがあります。

CLASS A ITE NOTICE

WARNING: This is a class A product. In a domestic environment this product may cause radio interference in which case the user may be required to take adequate measures.

BSMI EMC STATEMENT — TAIWAN

This is a class A product. In a domestic environment this product may cause radio interference in which case the user may be required to take adequate measures.

警告使用者：

這是甲類的資訊產品，在居住的環境中使用時，可能會造成射頻干擾，在這種情況下，使用者會被要求採取某些適當的對策。

ENTERASYS NETWORKS, INC. FIRMWARE LICENSE AGREEMENT

BEFORE OPENING OR UTILIZING THE ENCLOSED PRODUCT, CAREFULLY READ THIS LICENSE AGREEMENT.

This document is an agreement (“Agreement”) between the end user (“You”) and Enterasys Networks, Inc. on behalf of itself and its Affiliates (as hereinafter defined) (“Enterasys”) that sets forth Your rights and obligations with respect to the Enterasys software program/firmware installed on the Enterasys product (including any accompanying documentation, hardware or media) (“Program”) in the package and prevails over any additional, conflicting or inconsistent terms and conditions appearing on any purchase order or other document submitted by You. “Affiliate” means any person, partnership, corporation, limited liability company, or other form of enterprise that directly or indirectly through one or more intermediaries, controls, or is controlled by, or is under common control with the party specified. This Agreement constitutes the entire understanding between the parties, and supersedes all prior discussions, representations, understandings or agreements, whether oral or in writing, between the parties with respect to the subject matter of this Agreement. The Program may be contained in firmware, chips or other media.

BY INSTALLING OR OTHERWISE USING THE PROGRAM, YOU REPRESENT THAT YOU ARE AUTHORIZED TO ACCEPT THESE TERMS ON BEHALF OF THE END USER (IF THE END USER IS AN ENTITY ON WHOSE BEHALF YOU ARE AUTHORIZED TO ACT, “YOU” AND “YOUR” SHALL BE DEEMED TO REFER TO SUCH ENTITY) AND THAT YOU AGREE THAT YOU ARE BOUND BY THE TERMS OF THIS AGREEMENT, WHICH INCLUDES, AMONG OTHER PROVISIONS, THE LICENSE, THE DISCLAIMER OF WARRANTY AND THE LIMITATION OF LIABILITY. IF YOU DO NOT AGREE TO THE TERMS OF THIS AGREEMENT OR ARE NOT AUTHORIZED TO ENTER INTO THIS AGREEMENT, ENTERASYS IS UNWILLING TO LICENSE THE PROGRAM TO YOU AND YOU AGREE TO RETURN THE UNOPENED PRODUCT TO ENTERASYS OR YOUR DEALER, IF ANY, WITHIN TEN (10) DAYS FOLLOWING THE DATE OF RECEIPT FOR A FULL REFUND.

IF YOU HAVE ANY QUESTIONS ABOUT THIS AGREEMENT, CONTACT ENTERASYS NETWORKS, LEGAL DEPARTMENT AT (978) 684-1000.

You and Enterasys agree as follows:

1. **LICENSE.** You have the non-exclusive and non-transferable right to use only the one (1) copy of the Program provided in this package subject to the terms and conditions of this Agreement.
2. **RESTRICTIONS.** Except as otherwise authorized in writing by Enterasys, You may not, nor may You permit any third party to:
 - (i) Reverse engineer, decompile, disassemble or modify the Program, in whole or in part, including for reasons of error correction or interoperability, except to the extent expressly permitted by applicable law and to the extent the parties shall not be permitted by that applicable law, such rights are expressly excluded. Information necessary to achieve interoperability or correct errors is available from Enterasys upon request and upon payment of Enterasys’ applicable fee.
 - (ii) Incorporate the Program, in whole or in part, in any other product or create derivative works based on the Program, in whole or in part.
 - (iii) Publish, disclose, copy, reproduce or transmit the Program, in whole or in part.
 - (iv) Assign, sell, license, sublicense, rent, lease, encumber by way of security interest, pledge or otherwise transfer the Program, in whole or in part.
 - (v) Remove any copyright, trademark, proprietary rights, disclaimer or warning notice included on or embedded in any part of the Program.

3. **APPLICABLE LAW.** This Agreement shall be interpreted and governed under the laws and in the state and federal courts of the Commonwealth of Massachusetts without regard to its conflicts of laws provisions. You accept the personal jurisdiction and venue of the Commonwealth of Massachusetts courts. None of the 1980 United Nations Convention on Contracts for the International Sale of Goods, the United Nations Convention on the Limitation Period in the International Sale of Goods, and the Uniform Computer Information Transactions Act shall apply to this Agreement.

4. **EXPORT RESTRICTIONS.** You understand that Enterasys and its Affiliates are subject to regulation by agencies of the U.S. Government, including the U.S. Department of Commerce, which prohibit export or diversion of certain technical products to certain countries, unless a license to export the Program is obtained from the U.S. Government or an exception from obtaining such license may be relied upon by the exporting party.

If the Program is exported from the United States pursuant to the License Exception CIV under the U.S. Export Administration Regulations, You agree that You are a civil end user of the Program and agree that You will use the Program for civil end uses only and not for military purposes.

If the Program is exported from the United States pursuant to the License Exception TSR under the U.S. Export Administration Regulations, in addition to the restriction on transfer set forth in Sections 1 or 2 of this Agreement, You agree not to (i) reexport or release the Program, the source code for the Program or technology to a national of a country in Country Groups D:1 or E:2 (Albania, Armenia, Azerbaijan, Belarus, Bulgaria, Cambodia, Cuba, Estonia, Georgia, Iraq, Kazakhstan, Kyrgyzstan, Laos, Latvia, Libya, Lithuania, Moldova, North Korea, the People's Republic of China, Romania, Russia, Rwanda, Tajikistan, Turkmenistan, Ukraine, Uzbekistan, Vietnam, or such other countries as may be designated by the United States Government), (ii) export to Country Groups D:1 or E:2 (as defined herein) the direct product of the Program or the technology, if such foreign produced direct product is subject to national security controls as identified on the U.S. Commerce Control List, or (iii) if the direct product of the technology is a complete plant or any major component of a plant, export to Country Groups D:1 or E:2 the direct product of the plant or a major component thereof, if such foreign produced direct product is subject to national security controls as identified on the U.S. Commerce Control List or is subject to State Department controls under the U.S. Munitions List.

5. **UNITED STATES GOVERNMENT RESTRICTED RIGHTS.** The enclosed Program (i) was developed solely at private expense; (ii) contains "restricted computer software" submitted with restricted rights in accordance with section 52.227-19 (a) through (d) of the Commercial Computer Software-Restricted Rights Clause and its successors, and (iii) in all respects is proprietary data belonging to Enterasys and/or its suppliers. For Department of Defense units, the Program is considered commercial computer software in accordance with DFARS section 227.7202-3 and its successors, and use, duplication, or disclosure by the Government is subject to restrictions set forth herein.

6. **DISCLAIMER OF WARRANTY.** EXCEPT FOR THOSE WARRANTIES EXPRESSLY PROVIDED TO YOU IN WRITING BY ENTERASYS, ENTERASYS DISCLAIMS ALL WARRANTIES, EITHER EXPRESS OR IMPLIED, INCLUDING BUT NOT LIMITED TO IMPLIED WARRANTIES OF MERCHANTABILITY, SATISFACTORY QUALITY, FITNESS FOR A PARTICULAR PURPOSE, TITLE AND NON-INFRINGEMENT WITH RESPECT TO THE PROGRAM. IF IMPLIED WARRANTIES MAY NOT BE DISCLAIMED BY APPLICABLE LAW, THEN ANY IMPLIED WARRANTIES ARE LIMITED IN DURATION TO THIRTY (30) DAYS AFTER DELIVERY OF THE PROGRAM TO YOU.

7. **LIMITATION OF LIABILITY.** IN NO EVENT SHALL ENTERASYS OR ITS SUPPLIERS BE LIABLE FOR ANY DAMAGES WHATSOEVER (INCLUDING, WITHOUT LIMITATION, DAMAGES FOR LOSS OF BUSINESS, PROFITS, BUSINESS INTERRUPTION, LOSS OF BUSINESS INFORMATION, SPECIAL, INCIDENTAL, CONSEQUENTIAL, OR RELIANCE DAMAGES, OR OTHER LOSS) ARISING OUT OF THE USE OR INABILITY TO USE THE PROGRAM, EVEN IF ENTERASYS HAS BEEN ADVISED OF THE POSSIBILITY OF SUCH DAMAGES. THIS FOREGOING LIMITATION SHALL APPLY REGARDLESS OF THE CAUSE OF ACTION UNDER WHICH DAMAGES ARE SOUGHT.

THE CUMULATIVE LIABILITY OF ENTERASYS TO YOU FOR ALL CLAIMS RELATING TO THE PROGRAM, IN CONTRACT, TORT OR OTHERWISE, SHALL NOT EXCEED THE TOTAL AMOUNT OF FEES PAID TO ENTERASYS BY YOU FOR THE RIGHTS GRANTED HEREIN.

8. **AUDIT RIGHTS.** You hereby acknowledge that the intellectual property rights associated with the Program are of critical value to Enterasys and, accordingly, You hereby agree to maintain complete books, records and accounts showing (i) license fees due and paid, and (ii) the use, copying and deployment of the Program. You also grant to Enterasys and its authorized representatives, upon reasonable notice, the right to audit and examine during Your normal business hours, Your books, records, accounts and hardware devices upon which the Program may be deployed to verify compliance with this Agreement, including the verification of the license fees due and paid Enterasys and the use, copying and deployment of the Program. Enterasys' right of examination shall be exercised reasonably, in good faith and in a manner calculated to not unreasonably interfere with Your business. In the event such audit discovers non-compliance with this Agreement, including copies of the Program made, used or deployed in breach of this Agreement, You shall promptly pay to Enterasys the appropriate license fees. Enterasys reserves the right, to be exercised in its sole discretion and without prior notice, to terminate this license, effective immediately, for failure to comply with this Agreement. Upon any such termination, You shall immediately cease all use of the Program and shall return to Enterasys the Program and all copies of the Program.

9. **OWNERSHIP.** This is a license agreement and not an agreement for sale. You acknowledge and agree that the Program constitutes trade secrets and/or copyrighted material of Enterasys and/or its suppliers. You agree to implement reasonable security measures to protect such trade secrets and copyrighted material. All right, title and interest in and to the Program shall remain with Enterasys and/or its suppliers. All rights not specifically granted to You shall be reserved to Enterasys.

10. **ENFORCEMENT.** You acknowledge and agree that any breach of Sections 2, 4, or 9 of this Agreement by You may cause Enterasys irreparable damage for which recovery of money damages would be inadequate, and that Enterasys may be entitled to seek timely injunctive relief to protect Enterasys' rights under this Agreement in addition to any and all remedies available at law.

11. **ASSIGNMENT.** You may not assign, transfer or sublicense this Agreement or any of Your rights or obligations under this Agreement, except that You may assign this Agreement to any person or entity which acquires substantially all of Your stock or assets. Enterasys may assign this Agreement in its sole discretion. This Agreement shall be binding upon and inure to the benefit of the parties, their legal representatives, permitted transferees, successors and assigns as permitted by this Agreement. Any attempted assignment, transfer or sublicense in violation of the terms of this Agreement shall be void and a breach of this Agreement.

12. **WAIVER.** A waiver by Enterasys of a breach of any of the terms and conditions of this Agreement must be in writing and will not be construed as a waiver of any subsequent breach of such term or condition. Enterasys' failure to enforce a term upon Your breach of such term shall not be construed as a waiver of Your breach or prevent enforcement on any other occasion.

13. **SEVERABILITY.** In the event any provision of this Agreement is found to be invalid, illegal or unenforceable, the validity, legality and enforceability of any of the remaining provisions shall not in any way be affected or impaired thereby, and that provision shall be reformed, construed and enforced to the maximum extent permissible. Any such invalidity, illegality or unenforceability in any jurisdiction shall not invalidate or render illegal or unenforceable such provision in any other jurisdiction.

14. **TERMINATION.** Enterasys may terminate this Agreement immediately upon Your breach of any of the terms and conditions of this Agreement. Upon any such termination, You shall immediately cease all use of the Program and shall return to Enterasys the Program and all copies of the Program.

DECLARATION OF CONFORMITY

Application of Council Directive(s): **89/336/EEC**
73/23/EEC

Manufacturer's Name: **Enterasys Networks, Inc.**

Manufacturer's Address: **50 Minuteman Road**
Andover, MA 01810
USA

European Representative Address: **Enterasys Networks Ltd.**
Nexus House, Newbury Business Park
London Road, Newbury
Berkshire RG14 2PZ, England

Conformance to Directive(s)/Product Standards: **EC Directive 89/336/EEC**
EC Directive 73/23/EEC
EN 55022
EN 55024
EN 60950
EN 60825

Equipment Type/Environment: **Networking Equipment, for use in a Commercial**
or Light Industrial Environment.

Enterasys Networks, Inc. declares that the equipment packaged with this notice conforms to the above directives.

ONE-YEAR LIMITED WARRANTY

Enterasys Networks warrants to the original consumer or purchaser that each of its products, and all components thereof, will be free from defects in material and/or workmanship for a period of one year from the original factory shipment date. Any warranty hereunder is extended to the original consumer or purchaser and is not assignable.

Enterasys Networks makes no express or implied warranties including, but not limited to, any implied warranty of merchantability or fitness for a particular purpose, except as expressly set forth in this warranty. In no event shall Enterasys Networks be liable for incidental or consequential damages, costs, or expenses arising out of or in connection with the performance of the product delivered hereunder. Enterasys Networks will in no case cover damages arising out of the product being used in a negligent fashion or manner.

NOTE: Enterasys Networks reserves the right to change specifications without notice. Please contact your representative to confirm current specifications.

Contents

About This Guide

Purpose	ix
Who Should Use This guide	ix
Document Conventions	ix
Getting Help	x

Chapter 1: Introduction

Functions and Features	1-1
Port Indicators	1-1

Chapter 2: Installation and Connection

Verifying the Kit	2-1
Kit Contents	2-2
Technical Considerations	2-3
Configuration for the 24-Port Mid-Span Power Hub	2-4
Powering Up	2-5

Chapter 3: Troubleshooting

Appendix A: Hardware Specifications

Certifications	A-1
Model BL-69524ENT	A-1
Physical/Mechanical Specifications	A-2
LED Indicators/Module	A-2
Physical/Environmental Specifications	A-2
Electrical Specifications	A-3

Figures

2-1	Contents of the BL-69524ENT Kit	2-2
2-2	Typical Configuration for a 24-Port Mid-Span Power Hub	2-4
2-3	Module Bank for the 24-Port Mid-Span Power Hub	2-5

Tables

3-1	Troubleshooting Checklist	3-1
A-1	Physical and Mechanical Specifications	A-2
A-2	LED States and Their Definitions	A-2
A-3	Physical and Environmental Specifications	A-2

About This Guide

Purpose

This guide provides information and procedures on hardware installation, setup, configuration, and management of the Enterasys Networks 24-Port Mid-Span Power Hub (BL-69524ENT).

Who Should Use This guide



Electrical Hazard: Only qualified personnel should perform the installation procedures described in this guide.

This guide is intended for administrative and technical personnel responsible for installing and managing Enterasys Networks products.

To use this guide effectively, you should have a working knowledge of Local Area Networking (LAN) concepts and wireless LAN access infrastructures. In addition, you should have:

- A working knowledge of basic electronics and mechanical assembly.
- An understanding of local operating and troubleshooting procedures.
- An understanding of related local building codes.

Document Conventions

Throughout this guide the following symbols are used to call attention to important information.



Note: Calls the reader's attention to any item of information that may be of special importance.



Caution: Contains information essential to avoid damage to the equipment.



Electrical Hazard: Warns against an action that could result in the presence of an electrical hazard.

Getting Help

For additional support related to the Mid-Span Power Hub or this document, contact Enterasys Networks using one of the following methods:

World Wide Web	http://www.enterasys.com
Phone	603-332-9400 1-800-872-8440 (toll-free in U.S. and Canada) For the Enterasys Networks Support toll-free number in your country: http://www.enterasys.com/support/gtac-all.html
Internet mail	support@enterasys.com

To send comments or suggestions concerning this document to the Technical Writing Department: **TechWriting@enterasys.com**

Make sure to include the document Part Number in the email message.

Before contacting Enterasys Networks for technical support, have the following information ready:

- Your Enterasys Networks service contract number
- A description of the failure
- A description of any action(s) already taken to resolve the problem (e.g., changing mode switches, rebooting the unit, etc.)
- The serial and revision numbers of all involved Enterasys Networks products in the network
- A description of your network environment (layout, cable type, etc.)
- Network load and frame size at the time of trouble (if known)
- The device history (i.e., have you returned the device before, is this a recurring problem, etc.)
- Any previous Return Material Authorization (RMA) numbers

Introduction

Functions and Features

The BL-69524ENT, Enterasys Networks' 24-port Mid-Span Power Hub, supports applications in which AC power is difficult to access, such as VoIP phones, wireless LAN access points, or IP network cameras.

The Enterasys 24-port Mid-Span Power Hub acts as a "patch panel" and adds ~48 VDC to unused (non-data) wires in standard Category 5, 5e, or 6 Ethernet cable. The power unit delivers both data and power over a single standard Ethernet cable.

Main features of the 24-port Mid-Span Power Hub:

- Fully hot-swappable module banks
- Remote power feeding; powered devices receive power over the Ethernet cable
- Centralized power distribution; one powered device can be connected to a single in-line unit
- IEEE 802.3af standard powering scheme
- Acts as a normal patch panel and places ~48 VDC on unused Ethernet pins
- Total power available: 15.6 W per port per IEEE specification
- Automatic power-control circuitry to detect a powered device before providing power
- Fused power surge protection

Port Indicators

Each port has its own LEDs, which display the following:

- Detect/Power Forwarding (blue)
- Power from Chassis (green)

For information on Troubleshooting, refer to [Table 3-1](#) on page 3-1.

Installation and Connection



Electrical Hazard: Only qualified personnel should install or service this unit.

Verifying the Kit

Unpack the unit and verify that you have all of the following items (see [Figure 2-1](#)):

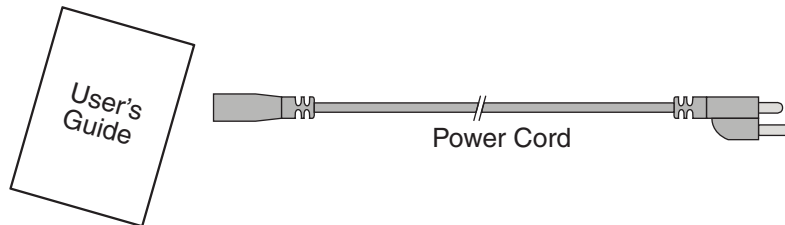
- Enterasys' 24-port Mid-Span Power Hub
- Power Cord
- User's Guide

Kit Contents

Figure 2-1 Contents of the BL-69524ENT Kit



BL-69524ENT 24-Port Mid-Span Power Hub



Technical Considerations

The Enterasys Networks 24-port Mid-Span Power Hub may be placed on a shelf or mounted in a standard 48.26-centimeter (19-inch) rack.

Before you mount the unit to a fixed location, consider the following:

- Determine optimal placement.
- Collect and document network information as required.
- Ensure that the length of cable from the Ethernet network source to the powered device does not exceed 100 meters.



Note: The unit is not a repeater and does not amplify the Ethernet data signal.



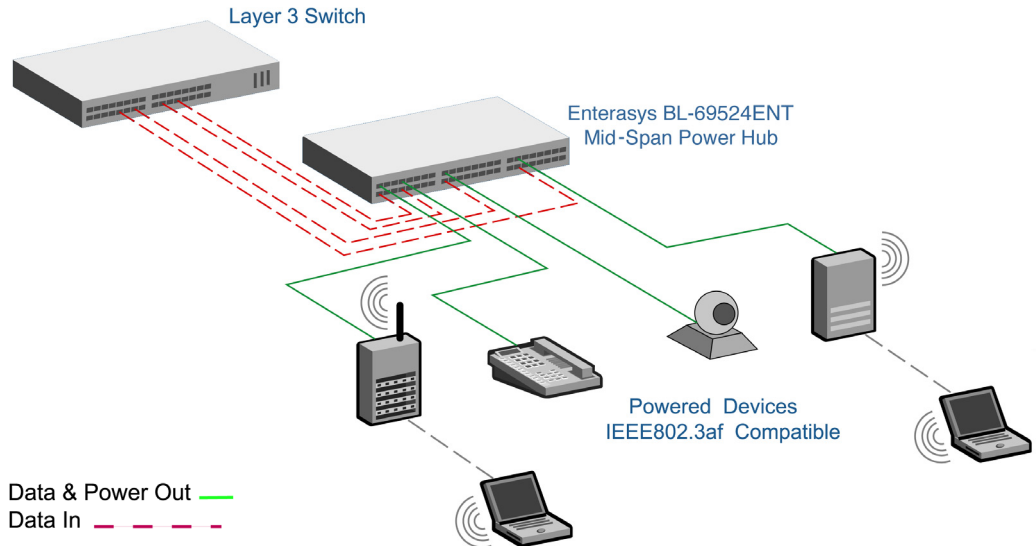
Caution: Observe the following requirements when mounting the Enterasys Networks 24-port Mid-Span Power Hub:

- This unit is intended for installation in a wiring closet.
- Connect the unit to a grounding type AC outlet (100-240 VAC), using the standard power cord shipped with the unit, or a user-supplied UPS (uninterruptible power supply).
- Allow for easy access to disconnect the unit from the AC outlet if necessary.
- Do not cover the unit or block the airflow with any other objects. Keep the unit away from excessive heat, humidity, vibration, and dust.
- Ensure that installation conforms to local regulations.

Configuration for the 24-Port Mid-Span Power Hub

Figure 2-2 shows a typical configuration for the Enterasys 24-port Mid-Span Power Hub operating with 802.3af appliances. To ensure EMC compliance and compliance with Class A requirements, use Category 5, 5e, or 6 shielded twisted pair straight-through cables.

Figure 2-2 Typical Configuration for a 24-Port Mid-Span Power Hub



Powering Up

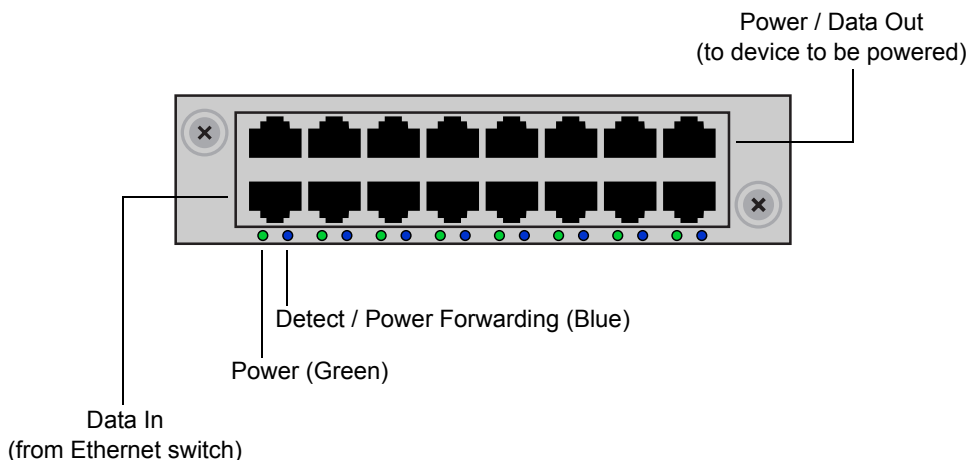
Simply plug one end of the power cord into the unit, and the other end into a grounded AC power source. Units are typically connected to a power strip or other power outlet that may be cycled on and off. An uninterruptible power supply may also be used.

Check to make sure each module installed displays a green Power LED (see [Figure 2-3](#)). Verify that any module that does not display a green Power LED is properly seated in the chassis backplane.

If problems exist, refer to the troubleshooting checklist in [Chapter 3, Troubleshooting](#).

If you require assistance, contact Enterasys Networks using one of the methods described in [“Getting Help”](#) on page x.

Figure 2-3 Module Bank for the 24-Port Mid-Span Power Hub



Troubleshooting

Refer to [Table 3-1](#) for a checklist of problems and recommended actions to resolve the problem. If additional support is needed, refer to “[Getting Help](#)” on page x.

Table 3-1 Troubleshooting Checklist

Problem	Recommended Action
Unit is plugged into the Enterasys Mid-Span Power Hub, but main power LED is “off.”	<p>Verify the use of a good AC cable with a good ground connection.</p> <p>Verify that the AC is “hot” and that voltage is between 100 VAC to 264 VAC (50 Hz to 60 Hz).</p> <p>For the 24-port Mid-Span Power Hub, if the internal fan is working, there may be an internal circuitry fault or internal voltage that is out of specification. If the fan is not working, there may be an internal power supply fault.</p>
Unit is plugged in and running, but the fans are not working.	<p>Verify that all fan openings are clear.</p> <p>Verify that the metal case is not damaged.</p> <p>Verify that there are no loose parts inside the Mid-Span Power Hub.</p> <p>If needed, check and replace fuse at the inlet plug 10 A rated fuse.</p>
The Mid-Span Power Hub operates but one of the powered devices does not work.	<p>Verify that you are using a standard UTP Cat. 5, 5e, or 6 cable, including all eight wires (four pairs). Try to move the same load into a different port on the same hub. If it works, there is probably a faulty port or bad RJ45 port connection. If possible, try to connect the load device into a different hub. Try using a different Ethernet cable; if it works, there is probably a faulty connection over the long cable, or a bad RJ45 connection.</p>

Table 3-1 Troubleshooting Checklist (continued)

Problem	Recommended Action
<p>The Mid-Span Power Hub operates and the load device works, but there is no data link.</p>	<p>Verify that the Detect/Power Forwarding (blue) LED for the port is “on.” Verify that the Mid-Span Power Hub is connected to the Ethernet network with a good connection.</p> <p>Verify that the Ethernet cable is Category 5, 5e, or 6 and is less than 100 meters in length from the Ethernet source to the load.</p> <p>Try to connect a different device over the same port. If it works and a link is established, there is probably a faulty data link in the load.</p> <p>Try to reconnect the load into a different output port (remember to move the input port accordingly). If it works, there is probably a faulty output or input port in the Mid-Span Power Hub or a bad RJ45 connection.</p>
<p>The Mid-Span Power Hub operates, but one of the ports is powering a load without turning the “Power” LED on.</p>	<p>Move the load into a different output port. If the LED turns “on,” there is a fault in the previous output port.</p>



Hardware Specifications

Certifications

The equipment meets the following safety standards and emissions requirements:

Safety	UL 1950 and cUL
Emissions	FCC Class A EN 55022, Class A EN 55024, CE Mark (CISPR 22 Class A) CB certified per IEC 60950
Standards	P802.3af

Model BL-69524ENT

- 24 female RJ45 data input ports
- Shielded jacks for Category 5 or greater UTP (two pair wire) or 100-ohm STP (two pair wire)
- Distance: Up to 100 meters, standard Ethernet distance
- 24 female RJ45 Data+Power on Ethernet (Power over Ethernet) output ports

Physical/Mechanical Specifications

Table A-1 provides physical and mechanical specifications for the 24-port Mid-Span Power Hub.

Table A-1 Physical and Mechanical Specifications

Item	Specification
Chassis Type	48.26 cm (19 in.) rackmount with 3 modules
Chassis Size	44.45 cm W x 41.28 cm D x 4.45 cm H (17.5 in. W x 16.25 in. D x 1.75 in. H)
Module Type	Removable, hot swappable
Weight	9 kg (20 lbs)

LED Indicators/Module

Table A-2 provides module LED states and their definitions.

Table A-2 LED States and Their Definitions

LED Color	Status
Blue	Detect/Power Forwarding
Green	Power from Chassis

Physical/Environmental Specifications

Table A-2 provides physical and environmental specifications for the BL-69524ENT 24-port Mid-Span Power Hub.

Table A-3 Physical and Environmental Specifications

Item	Specification
Operating Temperature	0° C to 40° C (32° to 105° F)
Storage Temperature	-10° C to 60° C (14° F to 140° F)
Relative Humidity	10% to 90% non-condensing
Operating Altitude	-1,000 to 10,000 feet

Electrical Specifications

AC Power Input

Voltage	90–264 V autoranging (46 Hz–63 Hz)
Connector	3-pin with ground
Chassis grounding	yes
Power supply	single

DC Port Power Output

Power enabling	IEEE 802.3af
Power pins	Unused pairs, pins 4,5(+), 7,8(-)
Maximum power/port	15.6 W
Maximum power, all ports active	24 ports at 15.6 W each
Module-to-module isolation	1500 V RMS
Overload protection	If current reaches 400–450 mA for 300–400 milliseconds, then the port shuts down.

